

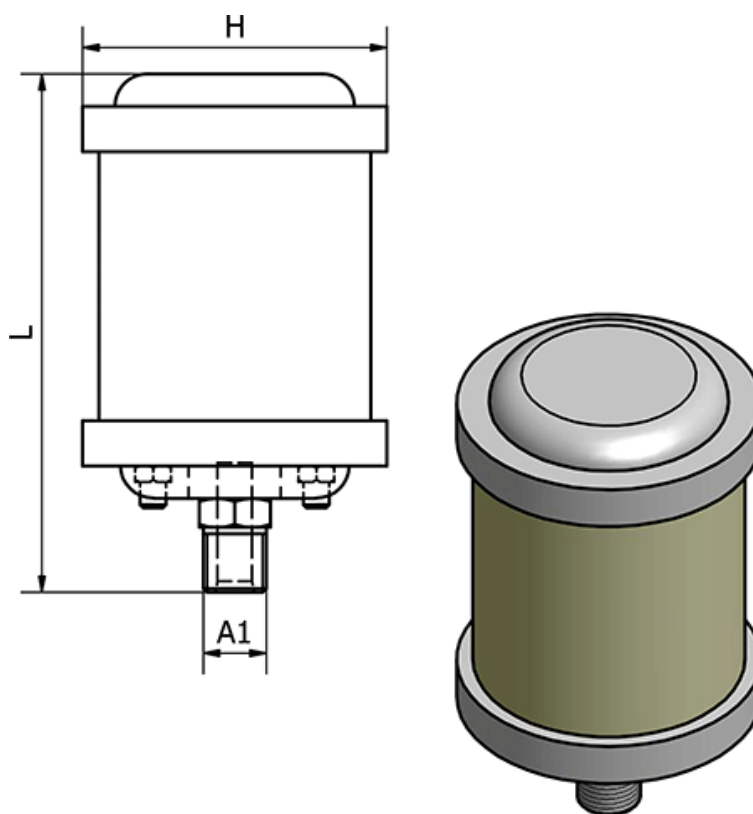
# Data Sheet



Article number: 586LX7

Description: Silencers LX-07, - G 3/4"  
Silencer With Hi-Flow

## Measures



Flow l/min at 5 bar = 14000

H = 68.5

L = 184

Thread A1 = G 3/4"